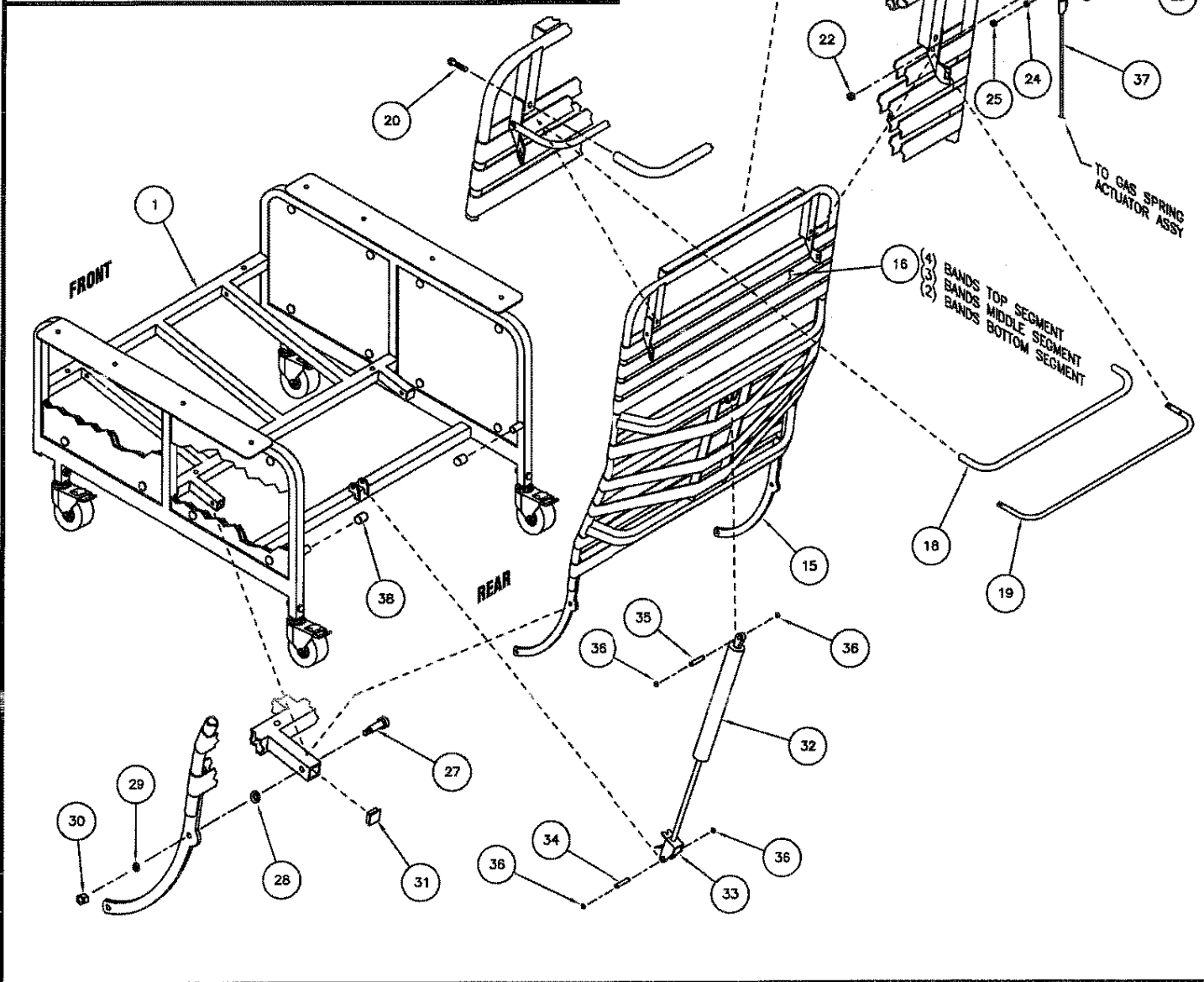
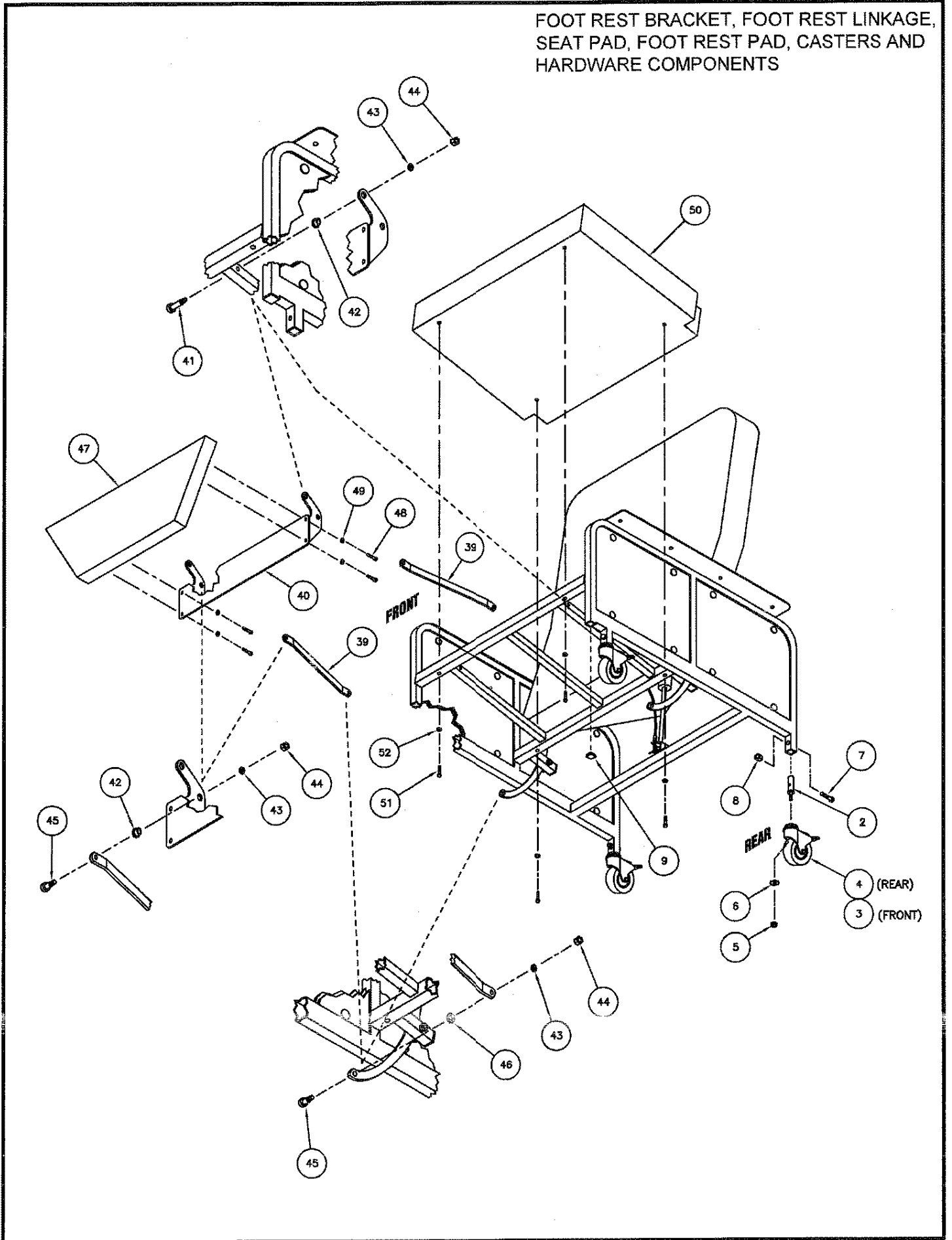


SEAT FRAME, BACK FRAME, ARM REST PADS  
 BACK FRAME PAD, SIDE PANELS, PUSH BAR,  
 RELEASE BAR AND HARDWARE COMPONENTS



FOOT REST BRACKET, FOOT REST LINKAGE,  
SEAT PAD, FOOT REST PAD, CASTERS AND  
HARDWARE COMPONENTS



# MODEL 900R BARIATRIC RECLINER CHAIR

PARTS LIST

Pg 3 of 3

REF No.	DESCRIPTION	PART No.	QTY.
<b>SEAT FRAME, CASTER, SIDE PANEL, ARM REST &amp; HARDWARE</b>			
1	SEAT AND SIDE FRAME	20876	1
2	CASTER STEM	20893	4
3	5" SWIVEL LOCK CASTER	20557-4	2
4	5" BRAKE AND SWIVEL LOCK CASTER	20557	2
5	1/2-20 LOCK NUT	P543	4
6	17/32 ID x 1 1/16 OD FLAT WASHER	P638-1	4
7	1/4-20 x 1 1/2 LG HEX HD CAP SCREW	P373	4
8	1/4-20 LOCK NUT	P537	4
9	1"BLACK PLASTIC CAP	P152	2
10	SIDE PANEL	20877	8
11	RATCHET RIVET	20849	32
12	ARMREST PAD	20870	2
13	1/4-20 x 3/4 LG PHILLIPS RD HD SCREW	P322	8
14	1/4 LOCK WASHER	P757	8
<b>BACK REST FRAME, PAD, GAS SPRING &amp; HARDWARE</b>			
15	BACK FRAME	20850	1
16	2" ELASTIC BAND	20892	9
17	BACK PAD ASSEMBLY	20890	1
18	PUSH HANDLE	20898	1
19	RELEASE HANDLE	20868	1
20	5/16-18 x 1 1/2 LG HEX HD CAP SCREW	P383	2
21	1/4-20 x 1 LG HEX HD CAP SCREW	P371	2
21a	.266 ID x .520 OD (.015 THK) NYLON FLAT WASHER	P615	2
22	1/4-20 LOCK NUT	P536	2
23	10-24 x 1 LG PHILLIPS PAN HD SCREW	P341	1
24	3/16 ID x 3/8 OD FLAT WASHER	P630	2
25	10-24 LOCK NUT	P545	1
26	1" BLACK PLASTIC CAP	P152	2
27	3/8-16 x 1 1/4 LG SOC HD SHOULDER SCREW	26059-1	2
28	3/8 ID x 9/16 OD (.030 THK) NYLON FLAT WASHER	P616	2
29	5/16 SAE FLAT WASHER	P741-1	2
30	5/16-18 LOCK NUT	P547	2
31	7/8" BLACK PLASTIC CAP	P155	2
32	GAS SPRING	20874	1
33	SPRING ACTUATOR ASSEMBLY	20394	1
34	LOWER RETAINING PIN	P20274-2	1
35	UPPER RETAINING PIN	P20274-3	1
36	5/16 EXTERNAL RETAINING RING	P1325	4
37	RELEASE CABLE ASSEMBLY	20869	1
38	3/4" BLACK VINYL END CAP	P577	2
<b>LEG REST, FRAME, PAD, LINKAGE AND HARDWARE</b>			
39	FOOT REST LINKAGE	20883	2
40	FOOT REST BRACKET	20894	1
41	3/8 x 1 1/4 LG SOC HD SHOULDER SCREW	26059-1	2
42	FLANGED BUSHING	P24056-1	4
43	5/16 SAE FLAT WASHER	P741-1	6
44	5/16-18 LOCK NUT	P547	6
45	3/8 x 1/2 LG SOC HD SHOULDER SCREW	26059	4
46	13/32 ID X 13/16 OD (.051 THK) FLAT WASHER	P741-2	2
47	FOOT REST PAD	20886	1
48	1/4-20 x 3/4 LG HEX HD CAP SCREW	P370	4
49	1/4 LOCK WASHER	P757	4
<b>SEAT PAD AND HARDWARE</b>			
50	SEAT PAD	20889	1
51	1/4-20 x 2 LG HEX HD CAP SCREW	P375	4
52	1/4 LOCK WASHER	P757	4

## INSTRUCTIONS FOR ORDERING

In addition to the Part(s) you require, specify Model No. and Serial No. of your chair. On Right or Left hand parts, add "R" for Right and "L" for Left to base Part No. Right or Left is established by sitting in chair.